

**SYMPHONY®  
IMAGING,  
TREATMENT  
& TRANSFER  
SOLUTION**



**CQ MEDICAL™**

Formerly CIVCO RT™ and Qfix®

## Bridging the Gap...

between treatment and imaging



3-8  
RADIATION ONCOLOGY

between procedure and imaging



9-13  
INTERVENTIONAL, CARDIOLOGY & RADIOLOGY

## SEE THE AIRSHUTTLE™ AND AIRDRIVE™ IN ACTION



LITHOTOMY WITH AIRDRIVE TROLLEY™



LITHOTOMY WITH AIRDRIVE CADDIE™



ALTA WITH AIRDRIVE TROLLEY



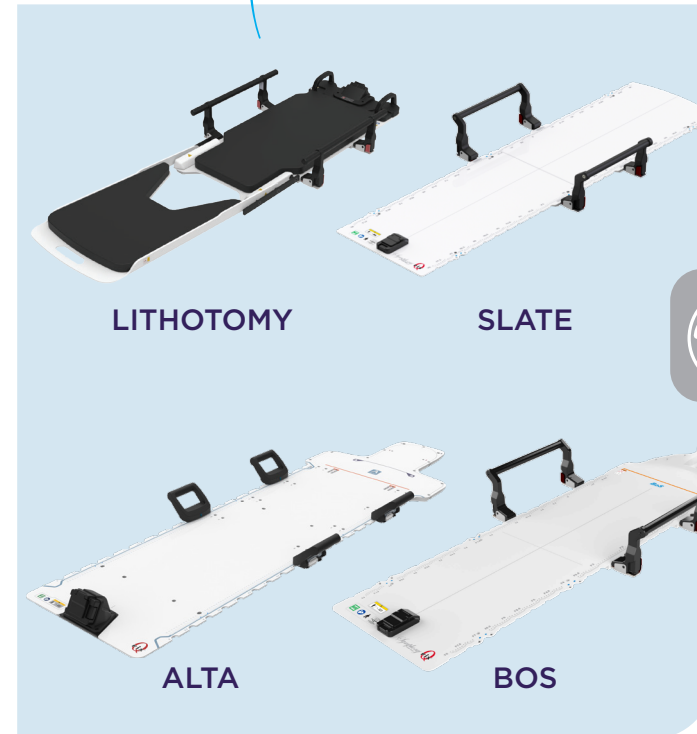
IRIS WITH AIRDRIVE TROLLEY

# Radiation Oncology Solutions

A Symphony radiation oncology solution combines an AirShuttle patient platform with an AirDrive system to provide smooth patient transfers between imaging modalities and treatment platforms. A Symphony solution is utilized in imaging modalities including CT, MR (up to 3 Tesla), ultrasound, and treatment environments including brachytherapy, photon, and proton.

- Safely transfer your patient with minimal clinical staff
- Transfer on and off a wide variety of surfaces including sheet-covered pads and mattresses
- Fully indexable to couchtop, and immobilization & positioning devices can be indexed to the AirShuttle
- Suitable for use in MR

AirShuttle



AirDrive



## COMPATIBLE MODALITIES AND TREATMENT ENVIRONMENTS



CT



MR



BRACHY



LINAC



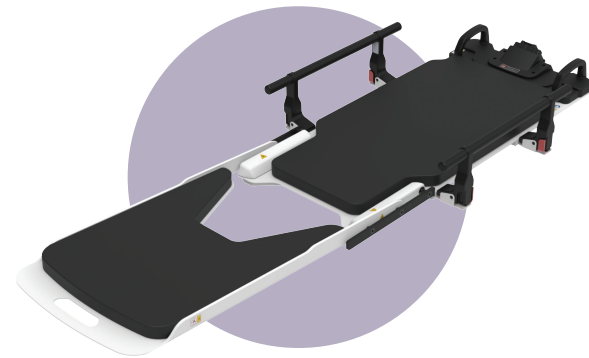
PROTON

# Lithotomy AirShuttle™

## MAXIMIZE WORKFLOW FLEXIBILITY

The patient is positioned once on the Lithotomy AirShuttle prior to insertion and then transferred easily, safely, and comfortably for imaging, treatment, and recovery.

- Integrated surgical rails are compatible with CT and MR imaging and allow stirrups, steppers, and other accessories to be quickly attached
- The leg extension supports the patient's legs for transfers and imaging and is easily removed to provide access to the perineum
- Provides stable patient support and reduced patient motion during transfers
- Clinicians report reduced applicator motion and improved patient comfort when using AirDrive technology over conventional patient transfers
- Patient transfers are performed with only two people, reducing staffing needs and allowing team members to focus on other responsibilities
- Removable, cleanable pads on the transfer device provide patient comfort from insertion through treatment
- Transfers laterally and longitudinally



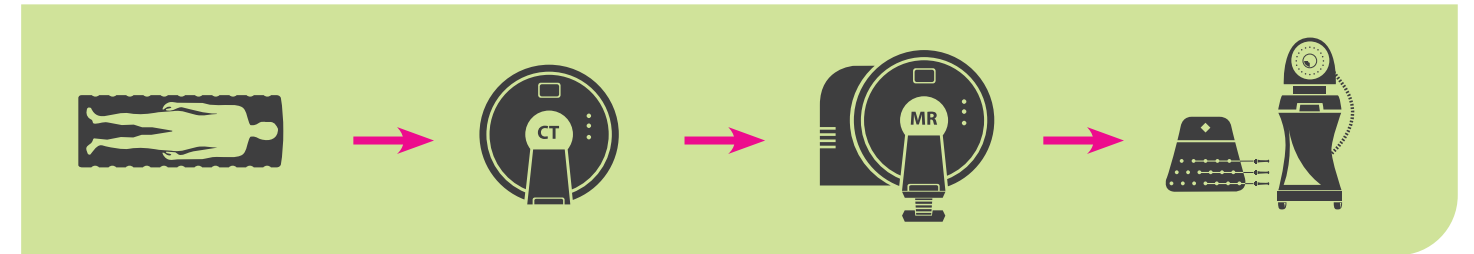
## INSERTION CAN BE PERFORMED DIRECTLY ON TROLLEY



### Packages

RT-5100-500	w/ AirDrive Trolley. Includes AirShuttle Transfer Handles (x2), Brachytherapy Insertion Overlay, Lithotomy Air Bearing (Spare), IV Pole
RT-5100-500S	w/ AirDrive Caddie. Includes: AirShuttle Transfer Handles (x2), Lithotomy Air Bearing (Spare)

# Brachytherapy Workflow



## Lithotomy Accessories



Applicator Clamp not included



### Stirrups and SpringLoc Clamp

RT-5100-51ST	Stirrups (pair)
RT-5100-51CU	SpringLoc Clamp, US (each)
RT-5100-51CE	SpringLoc Clamp, Europe (each)

### Applicator Clamp Holder

The Symphony Applicator Clamp Holder provides a safe and effective integrated solution to reduce applicator movement post-insertion. Post mounted or rail mounted versions accommodate various brachytherapy positioning workflows. Both holders are compatible with a wide variety of commercially available brachytherapy applicators. Compatible with CT and MR imaging.

RT-5100-53	Post Mounted Applicator Clamp Holder (top photo)
RT-5100-52	Rail Mounted Applicator Clamp Holder (bottom photo)

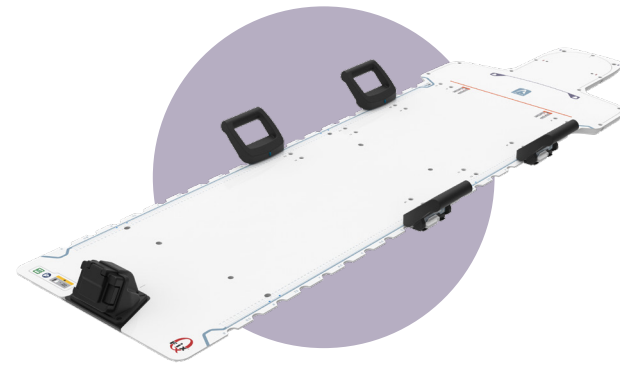


# Alta™ AirShuttle™

## ELEVATE YOUR WORKFLOW EFFICIENCIES TO A WHOLE NEW LEVEL

All in one solution can be used for a wide range of indications to reduce setup times, including SBRT.

- Combines functionality of multiple devices
- Can be extended beyond end of couchtop
- Dependable and reproducible
- Fast and efficient



### Packages

Both packages include: Alta AirShuttle Transfer Handles (x4), Alta ArmShuttle Elite, Silverman Pin Adapter, InfinityLock Hand grips (x2), FlexLock Knee Support, FlexLock Foot Support, MR Safe Locating Bars (x2), AirShuttle Locating Bars (x2), Alta Air Bearing (Spare), Wall Mount

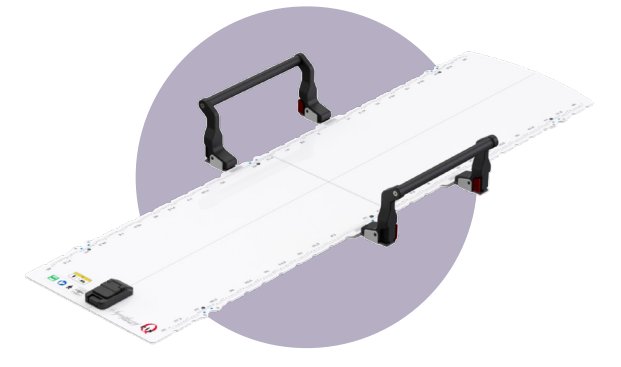
**RT-5100-700** w/ AirDrive Trolley

**RT-5100-700S** w/ AirDrive Caddie

# Slate AirShuttle™

## OUR THINNEST AND LIGHTEST AIRSHUTTLE

The Slate AirShuttle features low attenuation and homogeneity for enhanced imaging and treatment. It can be used in conjunction with existing positioning and immobilization devices, further improving workflow efficiencies.



### Packages

Both packages include: AirShuttle Transfer Handles (x2), AirShuttle Locating Bars (x2), Slate Air Bearing (Spare)

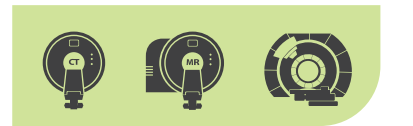
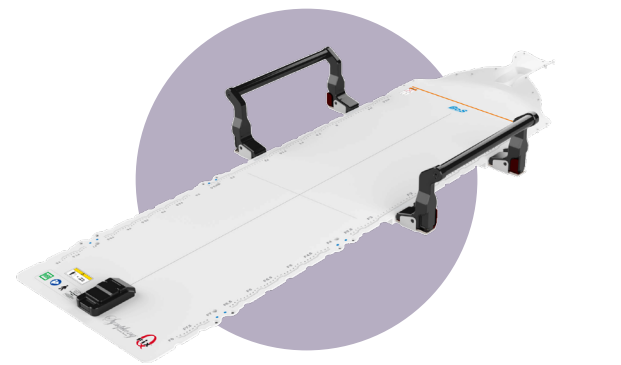
**RT-5100-100** w/ AirDrive Trolley

**RT-5100-100S** w/ AirDrive Caddie

# BoS® AirShuttle™

## DESIGNED FOR PROTON THERAPY

The conformal shape of the device optimizes the penumbra and minimizes the blockage of important proton beam angles.

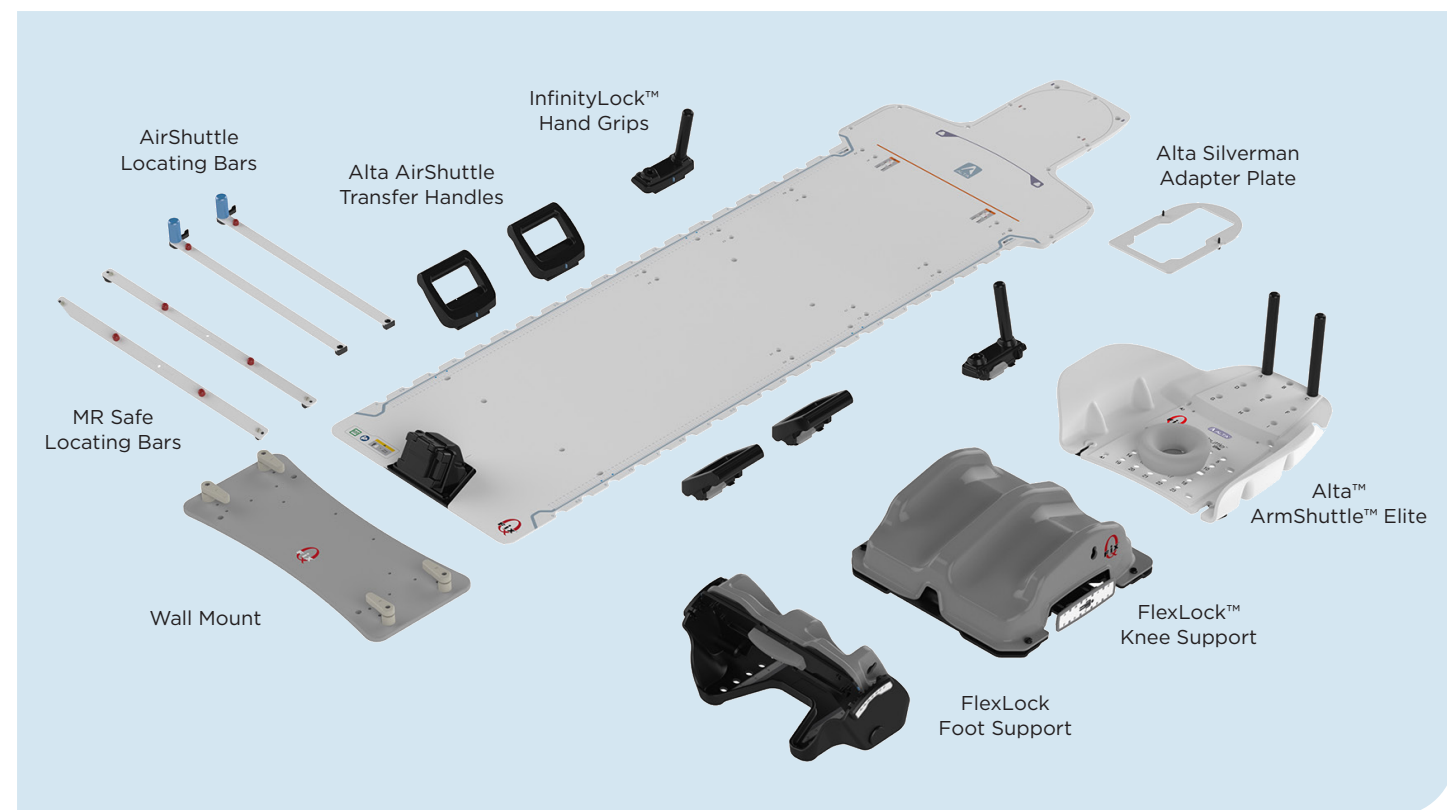


### Packages

Both packages include: AirShuttle Transfer Handles (x2), AirShuttle Locating Bars (x2), BoS Air Bearing (Spare)

**RT-5100-400** w/ AirDrive Trolley

**RT-5100-400S** w/ AirDrive Caddie



# Customized Cancer Care Workflow

- AirShuttle eliminates the need for patient repositioning between simulation and treatment
- Supports existing positioning & immobilization accessories and devices for lower cost of ownership
- Large, artifact-free, and homogeneous treatment area for precise dose delivery, including hypofractionation

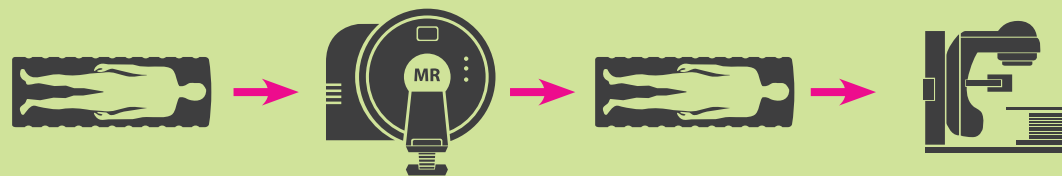
## TOTAL BODY IRRADIATION (TBI + VMAT)

- Provides rotational support, allowing a 180-degree patient orientation for both simulation and treatment procedures
- Enables the utilization of multi-isocenter treatment techniques
- Accommodates for patients up to 500 lbs.



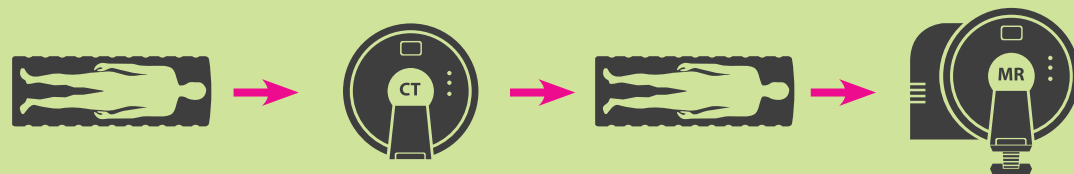
## ADAPTIVE

- Allows consistent patient positioning from image acquisition through planning and treatment
- Enhances workflow efficiencies by streamlining processes
- Offers support for adaptation in offline, online, and real-time scenarios as required



## MULTI-SIM

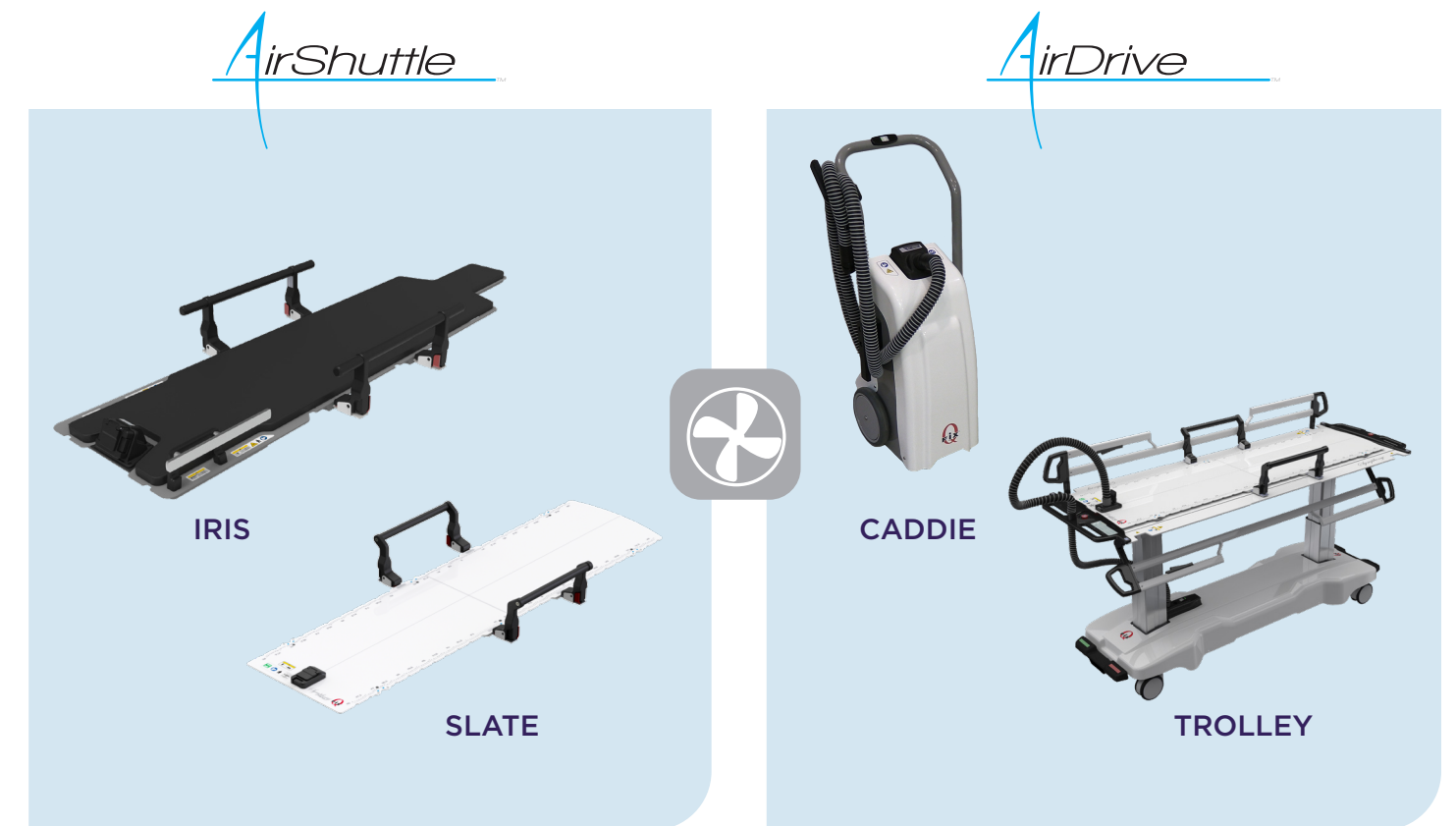
- Allows for a single patient setup that caters to both MR and CT simulations
- Facilitates patient setup and positioning outside of the simulation room
- Beneficial for patients with restricted mobility



# Interventional, Cardiology and Radiology Solutions

A Symphony interventional solution is an open imaging platform that combines an AirShuttle patient platform with an AirDrive system to provide smooth patient transfers between imaging modalities and procedure platforms. A Symphony solution is used in CT, MR (up to 3 Tesla), and angiography, providing an ideal tool for moving a patient safely and efficiently throughout your department without repositioning the patient.

- Safely transfer your patient with minimal clinical staff
- Transfer on and off a wide variety of surfaces including sheet-covered pads and mattresses
- Suitable for use in MR



## COMPATIBLE MODALITIES



# Iris AirShuttle™

## DESIGNED TO SIMPLIFY THE COMPLEX AND DELICATE INTERVENTIONAL WORKFLOWS

The Iris AirShuttle provides a seamless patient platform to bridge the gap from procedure to imaging. Position your patient once and maintain consistent positioning and support, reducing motion during transfer from Angio to MR and CT. Proprietary composite materials maintain a highly detailed level of imaging in a lightweight, easily manageable system.

- For use in all modalities regardless of vendor
- Radiolucent and suitable for use in the MRI
- Indexable to angiography couchtop
- Allows for optimal MR coil placement
- Intrabore adjustments are made possible by utilizing patented Air Bearing technology
- Fully configurable accessory rails assist in cable management
- Removable, cleanable pads allow for optimal comfort and imaging
- Accommodates a wide range of patient sizes



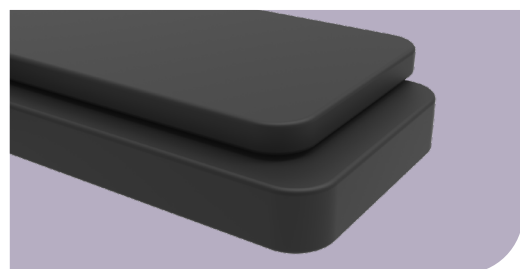
### Packages

Both packages include: Iris AirShuttle, Iris AirShuttle Cushion (1.5" thick), Symphony IV Pole, IV Pole Clamp, Transfer Handles (x2); Iris Air Bearing (Spare)

**XT-5100-600** w/ AirDrive Trolley

**XT-5100-600S** w/ AirDrive Caddie

### Iris Accessories



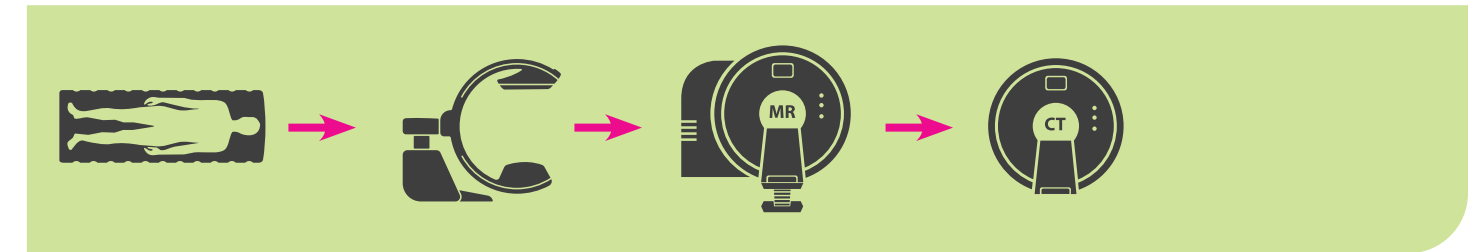
#### Iris AirShuttle Cushions

Two cushion sizes allow for customized patient comfort and setup needs. An Iris AirShuttle package includes the 1.5" memory foam cushion, but can be substituted for the 0.75" cushion.

**2009013** 1.5" Thick

**2008860** .75" Thick

# Interventional and Procedural Workflows



## CQ MEDICAL EDUCATION CENTER

The CQ Medical Education Center is designed to simulate a clinical environment and facilitate virtual demonstrations. The center allows us to provide uninterrupted support to our clinical partners around the world.

**SCHEDULE A LIVE WEB-BASED DEMO OR TRAINING TODAY! CONTACT [EDUCATION@CQMEDICAL.COM](mailto:EDUCATION@CQMEDICAL.COM).**





+1 800.526.5247 | [Qsales@CQmedical.com](mailto:Qsales@CQmedical.com) | [CQmedical.com](http://CQmedical.com)



Copyright ©2023 CQ Medical. All rights reserved. CQ Medical and CIVCO RT are trademarks of Medtec LLC. Symphony is a registered trademark of Qfix Systems LLC. AirDrive, AirDrive Caddie, AirDrive Trolley, AirShuttle, Alta AirShuttle, BoS AirShuttle, FlexLock, InfinityLock, Lithotomy AirShuttle, Slate AirShuttle and Iris AirShuttle are trademarks of Qfix Systems LLC.

This brochure contains information about products which may or may not be available in particular countries. These products may not be licensed in accordance with Canadian law. Each country has specific laws and regulations governing the commercialization of medical devices and the communication of information regarding medical devices in printed and digital media. Products appearing in this brochure or on our website may or may not have received approval, clearance, or marketing authorization by a governmental regulatory body in any particular country, or may have received approval, clearance, or marketing authorization for different indications and restrictions in different countries, or may be for investigational use only. A product's appearance in this brochure should not be construed as a solicitation or promotion for said product, nor any indication which is not authorized by the laws and regulations of the country where the reader resides.